

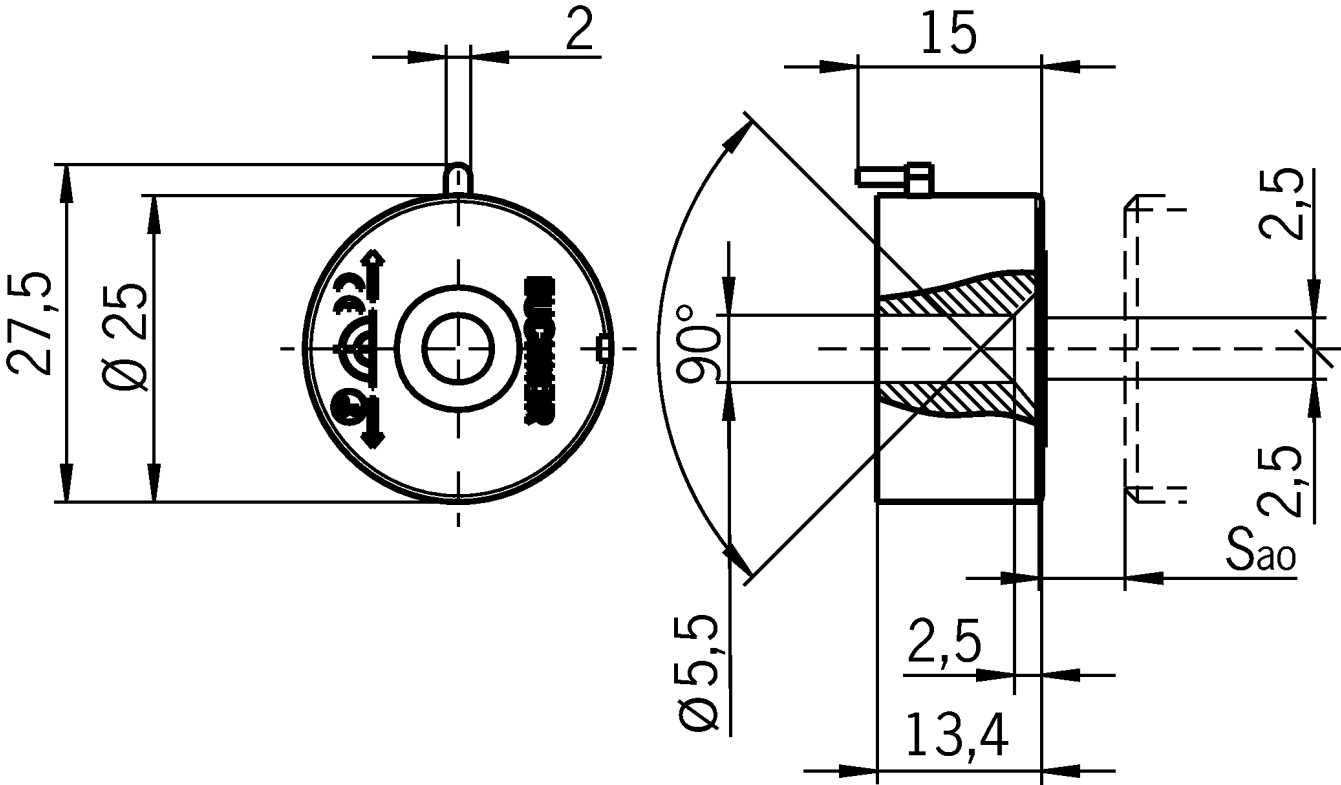
CMS-M-CA (Order no. 084577)

Actuator CMS design C

► Cylindrical version M25



Dimensional drawings



Technical data

Approvals



Mechanical values and environment

Tightening torque	0.4 ... 0.5 Nm
Design	C
Degree of protection	IP67
Ambient temperature	-20 ... +60 °C
Material	
	Housing PPS
Method of operation	Magnetic

Miscellaneous

in compliance with	EN ISO 13849-1:2015; EN 50178:1997; EN 60204-1:2006/A1:2009; EN ISO 14119:2013; EN 61000-6-2:2005; EN 61000-6-3:2007/A1:2011; EN 60947-5-3:2013
--------------------	---

Downloads

All documentation for this material can be found on our website:

<https://www.euchner.de/en-us/a/084577/?#downloads-tab>

Ordering data

Ordernumber	084577
Item designation	CMS-M-CA
Gross weight	0,01kg
Customs tariff number	85389099990
ECLASS	27-27-24-04 Actuator for safety-related proximity switch